

# Data Sheet

2018 v1.0

## RJ12 Fast Connect Current Transformers

- RJ12 Plug In Connection
- Multiple Sizes Available
- Simple, Error Free Connection
- CE Approved
- RJ12 Cable Included
- 100mA Secondary



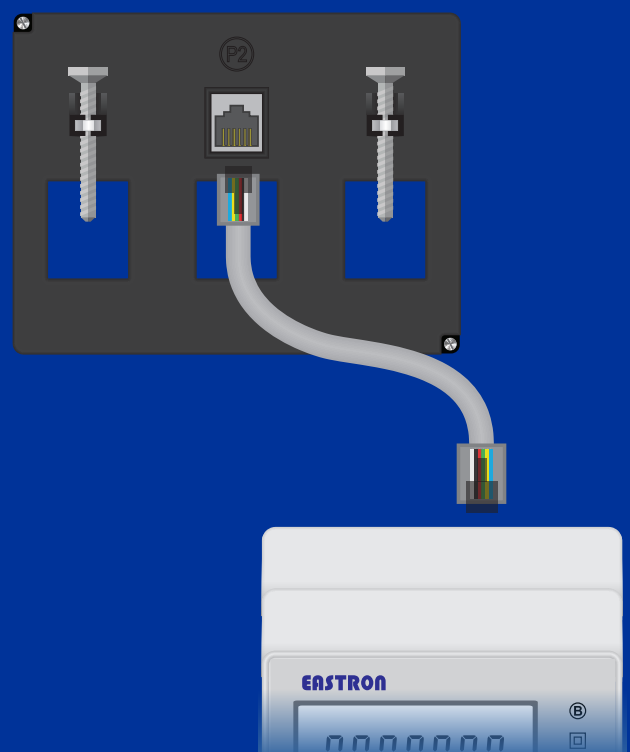
## RJ12 Fast Connect Current Transformers

The 3-in-1 current transformer range is for use with the Eastron RJ12 meters which combines three traditional current transformers in one moulding case with a RJ12 connection for simple and easy error free installation.

3-in-1 current transformers can be directly installed next to a three-phase moulded case circuit breaker, thus saving installation time where fitting three standard individual current transformers would be required.

In addition to the 3-in-1 current transformers, there is also a solid core single pole current transformer available for single phase applications. All current transformers are supplied with a 1.5m connecting cable, with RJ12 connector termination at each end.

The RJ12 current transformers are compatible with the following models: SMART X96-1 RJ12; SDM630MCT-RJ RJ12; SDM630MCT-2L RJ12.



## Specification

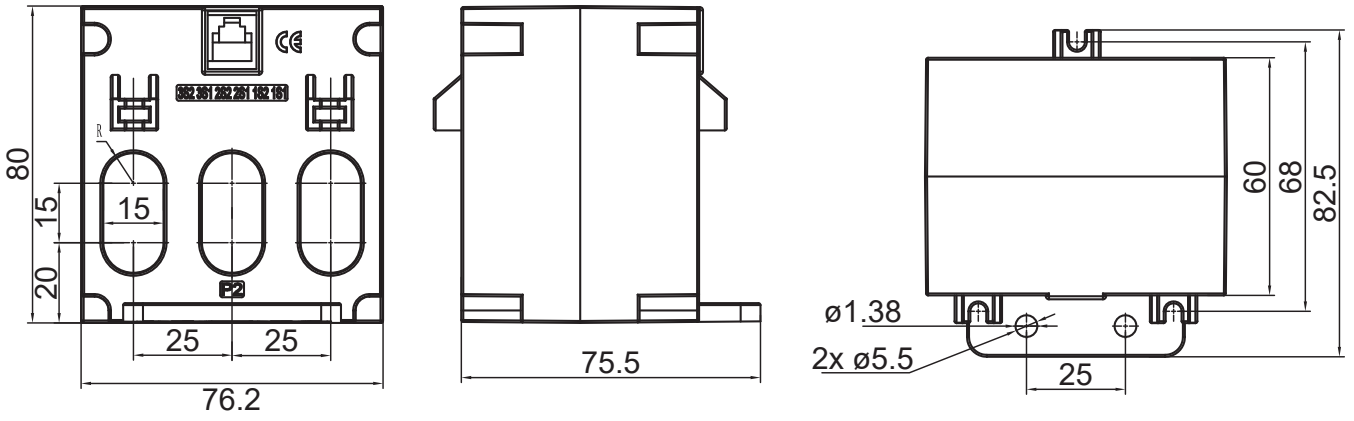
System Voltage	720V maximum
Test Voltage	3kV for 1 minute
System Frequency	50Hz or 60Hz
Primary Ratings	100mA AC rms, per CT
Overload Withstand	1.2x rated current continuously
Enclosure	Flame retardant grade classified UL94V-0
Aperture Hole Centres (3-IN-1 CTs only)	25mm / 35mm / 45mm
Operating Temperature	-20°C to +85°C
Compliant With Accuracy	IEC/EN 60044-1 Class 0.5, Class 1

## Models / Ordering Codes

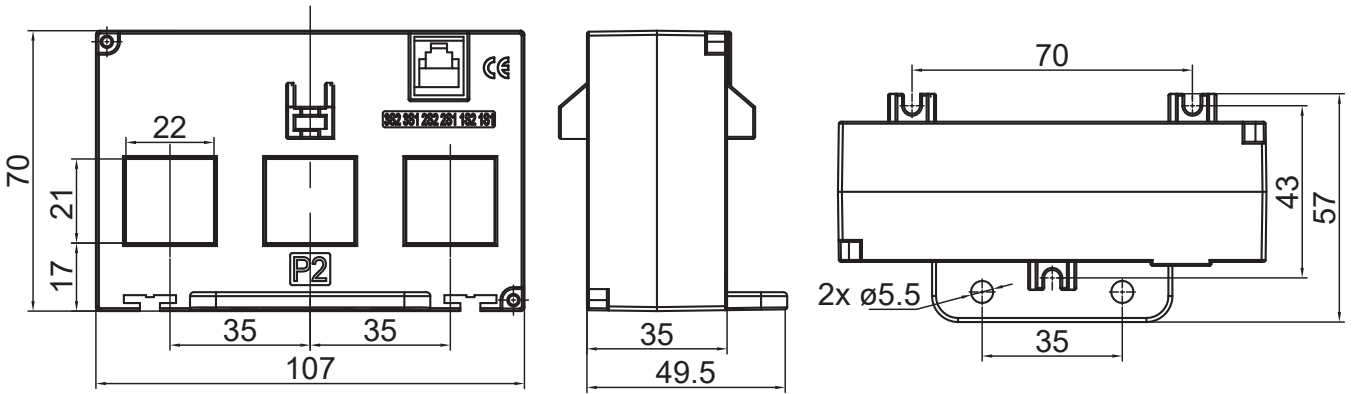
Product Codes	Primary Current	VA at Class 1	VA at Class 0.5	Aperture (WxH)	
RJ25-60A	60A	0.25	-	3x 15 x 15mm	
RJ25-100A	100A	0.35	0.25	3x 15 x 15mm	
RJ25-125A	125A	0.35	0.25	3x 15 x 15mm	
RJ25-150A	150A	0.35	0.25	3x 15 x 15mm	
RJ25-160A	160A	0.35	0.25	3x 15 x 15mm	
RJ25-200A	200A	0.35	0.25	3x 15 x 15mm	
RJ35-60A	60A	0.25	-	3x 22 x 21mm	
RJ35-100A	100A	0.35	0.25	3x 22 x 21mm	
RJ35-125A	125A	0.35	0.25	3x 22 x 21mm	
RJ35-150A	150A	0.5	0.25	3x 22 x 21mm	
RJ35-160A	160A	0.5	0.25	3x 22 x 21mm	
RJ35-200A	200A	0.5	0.25	3x 22 x 21mm	
RJ35-250A	250A	0.5	0.25	3x 22 x 21mm	
RJ45-250A	250A	0.5	0.25	3x 32 x 27mm	
RJ45-400A	400A	0.5	0.25	3x 32 x 27mm	
RJ45-600A	600A	0.5	0.25	3x 32 x 27mm	
RJ21-50A	50A	0.25	-	21mm ø	
RJ21-60A	60A	0.25	-	21mm ø	
RJ21-100A	100A	0.35	0.25	21mm ø	
RJ21-125A	125A	0.35	0.25	21mm ø	
RJ21-150A	150A	0.35	0.25	21mm ø	
RJ21-160A	160A	0.35	0.25	21mm ø	
RJ21-200A	200A	0.5	0.25	21mm ø	
RJ21-250A	250A	0.5	0.25	21mm ø	

Dimensions

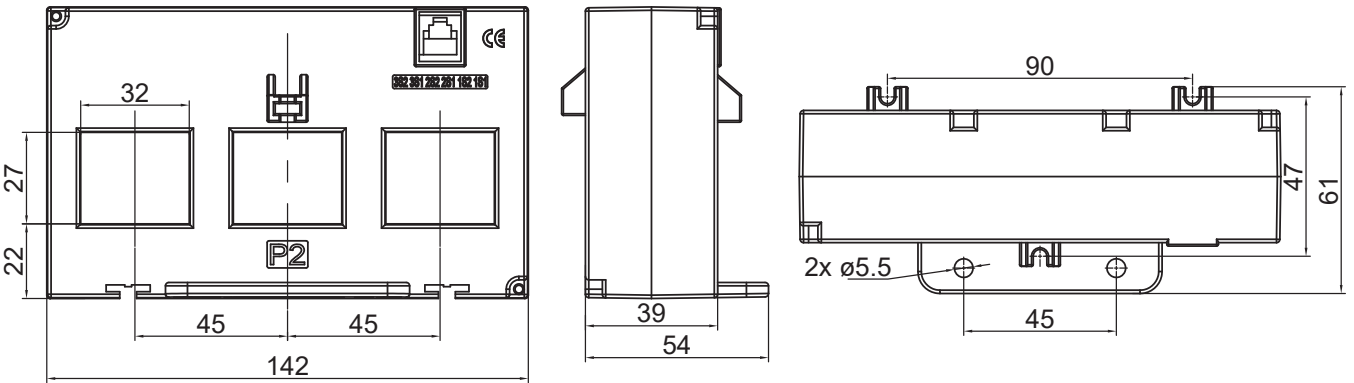
RJ325



RJ335



RJ345



RJ12

