

Data Sheet

2015 v1.0

SMART X835mV Panel Mounted Multi- function Power Meter

- 0.333V AC CT Inputs
- Suitable for Single & Three Phase networks
- Import / Export kWh
- UK CE Certification
- Backlit Digital Screen
- RS485 Modbus RTU



SMART X835mV Multifunction Power Meter

The SMART X835mV is a new generation modern design power monitor that will measure and display electrical power quality parameters. It has been engineered to cover most applications (Single Phase and Three Phase networks / Built in Pulse or RS485 Modbus outputs / Import and Export kWh) replacing the need for several different models of this power meter.

The 96mm² panel meter is produced to the highest quality and utilizes the latest microprocessor and technology. It has a blue backlit display and a total of 37 different measuring parameters. This includes a negative power reading to indicate reversal of CT installation or connection. With built in pulsed outputs and RS485 Modbus RTU it is fully compatible for integration with BMS and remote monitoring systems.

This specific model from the SMART range is configured to work in conjunction with 333mV current transformers.

Parameters

- Phase to Phase Voltage
- Phase to Neutral Voltage
- Frequency
- Voltage Total Harmonic Distortion (U%THD)
- Neutral Current (Calculated)
- Max Demand (Voltage, Current, Power)
- Current Total Harmonic Distortion (I%THD)
- kW, kVA & kVAR
- Power Factor
- Import kWh
- Export kWh
- Import kVarh
- Export kVarh
- Total kWh (Active Energy)
- Total kVarh (Reactive Energy)

cont.

Specifications

Measured Parameters

The unit can monitor and display the following parameters of a single phase two wire (1p2w), three phase three wire (3p3w) or three phase four wire (3p4w) system.

Voltage and Current

Each successive click of the UI button will show:

- Phase to neutral voltages 100 to 289V a.c.
- Phase to phase voltages 173 to 500V a.c.
- Current on each phase
- Current THD% for each phase

Hold down the M button, then each successive click of the UI button will show:

- Average demand voltage (Demand)
- Average demand current (Demand)
- Max demand voltage within the DIT (MAX Demand)
- Max demand current within the DIT (MAX Demand)
- Max peak voltage (MAX)
- Max peak current (MAX)

After holding down the M button, clicking the M button will show:

- Voltage phase sequence component
- Current phase sequence component

Power factor and Frequency and Max. Demand

- Frequency in Hz
- Instantaneous power:
- Power 0 to 3600 MW
- Reactive power 0 to 3600 MVAR
- Volt-amps 0 to 3600 MVA
- Maximum demanded power since last Demand reset Power factor
- Maximum neutral demand current, since the last Demand reset (for three phase supplies only)
- Power factor (total)
- Power factor on each phase
- Max peak power factor (total)
- Max peak frequency
- Min peak power factor (total)
- Min peak frequency
- Average demand power
- Min demand power within the DIT
- Max demand power within the DIT
- Min power
- Max peak power

Energy Measurements

Imported/Exported active energy	0 to 9999999.9 kWh
Imported/Exported reactive energy	0 to 9999999.9 kVAh
Total active energy	0 to 9999999.9 kWh
Total reactive energy	0 to 9999999.9 kVAh

Measured Inputs

Voltage inputs through 4-way fixed connector with 2.5mm² stranded wire capacity. single phase two wire(1p2w) or three phase four wire(3p4w) unbalanced. Line frequency measured from L1 voltage or L3 voltage. Three current inputs (six physical terminals) with 2.5mm² stranded wire capacity for connection of external CTs. Nominal rated input current 0.333V AC

Nominal Voltage Input	(Ph+N) 100 to 289V (Ph+Ph) 173 to-500V
Max Continuous Voltage	120% of nominal
Nominal Input Current	0.333V AC
Max Continuous Current	120% of nominal
Nominal Input Current Burden	0.5VA
Frequency	45-65Hz

Accuracy

Voltage	0-5% of range maximum
Current	0-5% of nominal
Frequency	0-2% of mid-frequency
Power factor	1% of unity (0.01)
Active power (W)	±1% of range maximum
Reactive power (VAR)	±1% of range maximum
Apparent power (VA)	±1% of range maximum
Active energy (Wh)	Class 1 IEC 62053-21
Reactive energy (VARh)	±1% of range maximum
Total harmonic distortion	1% up to 31st harmonic
Response time to step input	1s, typical, to >99% of final reading, at 50 Hz.

Auxiliary Supply

The unit is powered by a 230V AC supply with neutral.

Interfaces for External Monitoring

Three interfaces are provided:

- RS485 communication channel that can be programmed for Modbus RTU protocol
- Relay output indicating real-time measured energy.(configurable)
- Pulse output 3200imp/kWh (not configurable)

The Modbus configuration (baud rate etc.) and the pulse relay output assignments (kW/kVAh, import/export etc.) are configured through the set-up screens.

Pulse Output

Opto-coupler with potential free SPST-NO Contact (Contact range 5-27VDC / Max current input: Imin 2mA and Imax 27mA DC). The pulse output can be set to generate pulses to represent kWh or kVAh.

Rate can be set to generate 1 pulse per:

0.01 = 10 Wh/VArh
 0.1 = 100 Wh/VArh
 1 = 1 kWh/kVAh
 10 = 10 kWh/kVAh
 100 = 100 kWh/kVAh

Pulse width 200/100/60 ms.

RS485 Output for Modbus RTU

For Modbus RTU, the following RS485 communication parameters can be configured from the set-up menu:

Baud rate 2400, 4800, 9600, 19200, 38400

Parity none (default) / odd / even

Stop bits 1 or 2

RS485 network address 3-digit number, 1 to 247

Modbus™ Word order Hi/Lo byte order is set automatically to normal or reverse. It cannot be configured from the set-up menu.

Reference Conditions of Influence Quantities

Influence Quantities are variables that affect measurement errors to a minor degree. Accuracy is verified under nominal value (within the specified tolerance) of these conditions.

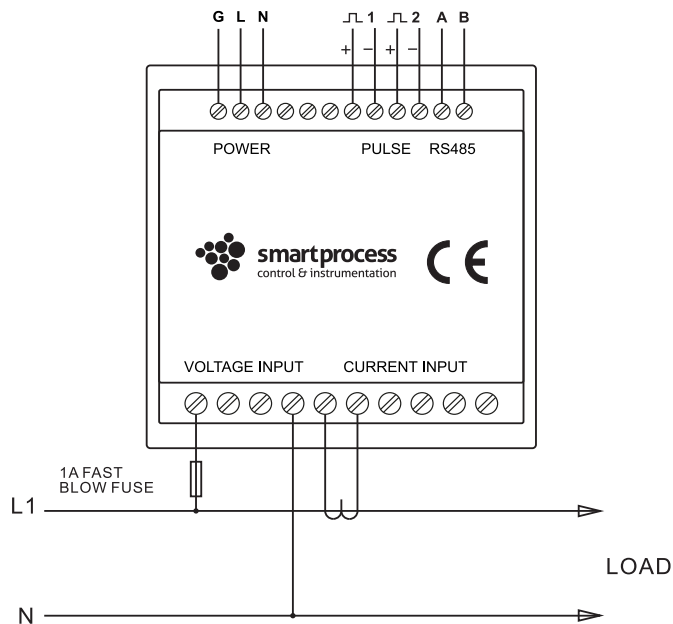
Ambient temperature	23°C ±1°C
Input waveform	50 or 60Hz ±2%
Input waveform	Sinusoidal (distortion factor < 0.005)
Auxiliary supply voltage	Nominal ±1%
Auxiliary supply frequency	Nominal ±1%
Auxiliary supply waveform (if AC)	Sinusoidal (distortion factor < 0.05)
Magnetic field of external origin	Terrestrial flux

Environment

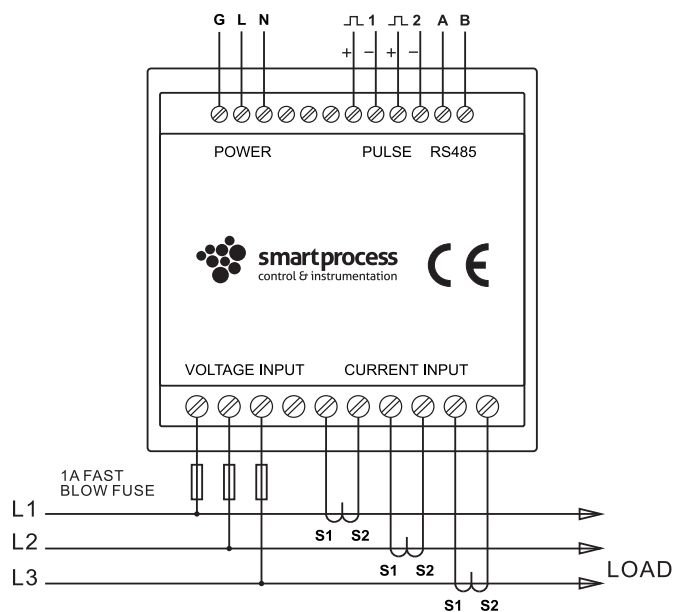
Operating temperature	-25°C to +55°C*
Storage temperature	-40°C to +70°C*
Relative humidity	0 to 95%, non-condensing
Altitude	Up to 3000m

Wiring Diagrams

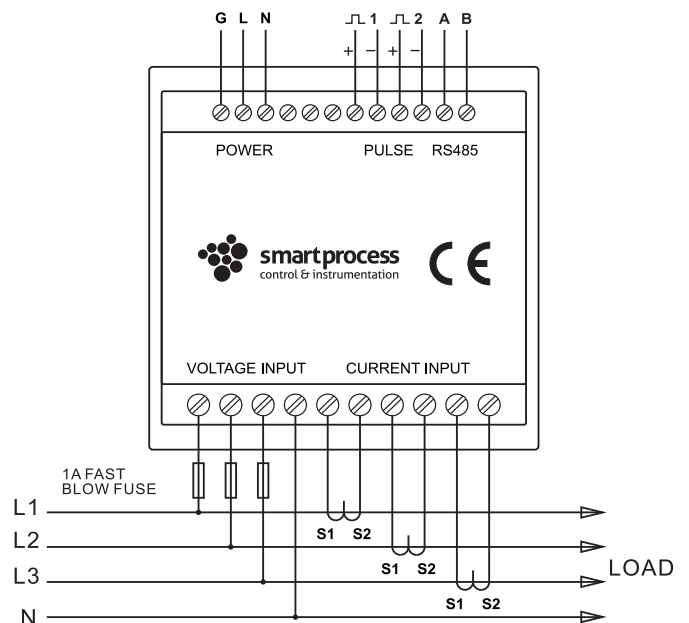
Single Phase Two Wire



Three Phase Three Wire



Three Phase Four Wire



Specification subject to change without notification.