

Data Sheet

2016 v1.0

SMARTRAIL X835-MID Panel Adaption Kit for DIN Rail Power Meter

- Cost effective solution for Panel Mounted MID Approved Multifunction Meter
- Fits within a 92mm² cutout
- Detachable fascia to access Screw terminals from the front
- Quick Installation



SMARTRAIL X835-MID Panel Adaption Kit

This Panel Kit has been engineered to work with the following models from the Smart Process range:

- SMARTRAIL X835
- SMARTRAIL X835mV
- SMARTRAIL X835-MID
- SMARTRAIL X835B-MID
- SMARTRAIL X835-SC-MID

We have manufactured this as a cost effective solution for a MID approved multifunction panel-mounted meter. This cradle has been designed for a quick & easy installation as opposed to similar products available.



Specification

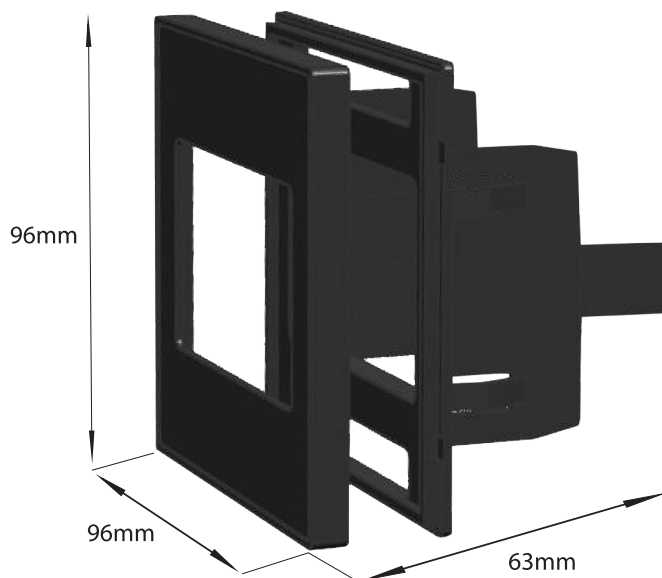
The SMARTRAIL X835-MID Panel Kit provides a solution to a MID approved multifunction meter. This Panel Kit works in comparison with the SMARTRAIL X835-MID Power Meter which comes as a Dinrail mounted meter. The Panel Kit acts as a cradle which holds the Dinrail meter securely in place, the fascia of the Panel Kit creates a 96mm² fascia. The SMARTRAIL X835-MID Panel Kit consists of two separate components making it practical, fast and easy to install.

When installing the SMARTRAIL X835-MID meter using the Panel Kit, you will notice clips on either side, this is so that once the Panel Kit is pushed into the 92mm² cut out, the clips hold the cradle in place securely.

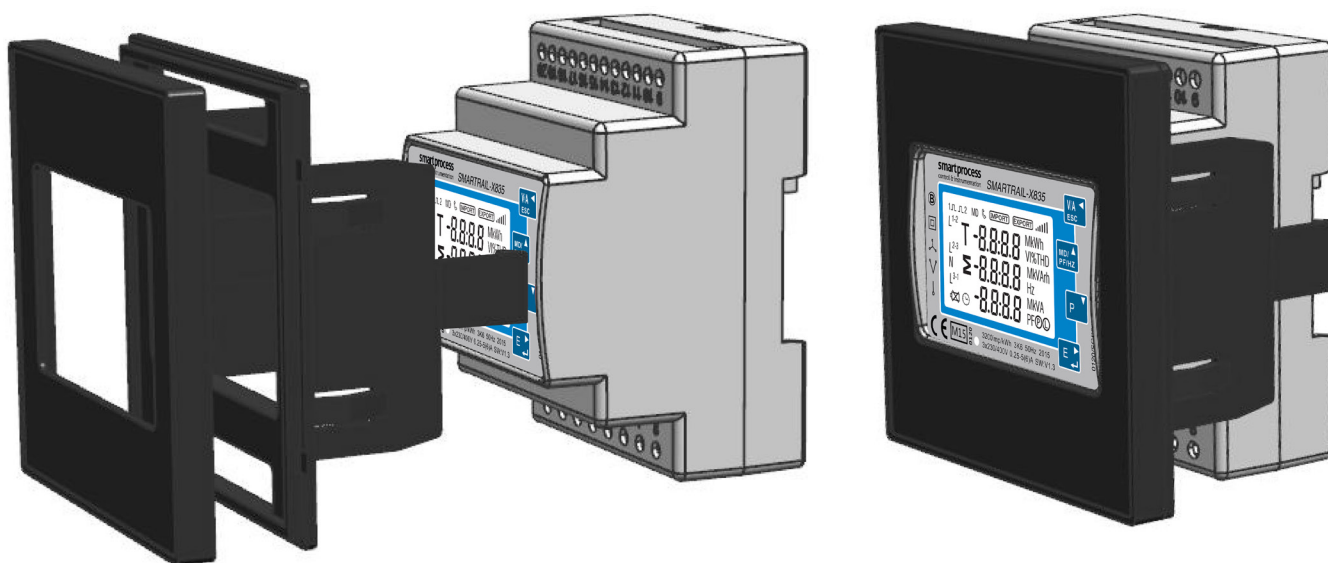
The reason for the separate front plate is so that when the meter is held securely within the cradle, the terminal screws are still accessible at the front of the meter without having to remove it from the Panel Kit. This allows for an easier wiring solution for setup and any adjustments.

Once the meter has been wired in place, the front plate can be clipped on, allowing the screen of the meter to be visible within the 96mm² square panel enclosure. Due to the SMARTRAIL X835-MID meter featuring touch-screen buttons, the user can cycle through all parameter options whilst the meter is secured within the Panel Kit.

Dimensions



Panel Kit:
Height: 96mm
Length: 96mm
Depth: 63mm
Face Hole:
Height: 41mm
Length: 71mm



Specification subject to change without notice.