

RUT955

INDUSTRIAL CELLULAR ROUTER



RUT955 360° VIEW



CONNECTIVITY

4G/LTE (Cat 4), 3G, 2G

GNSS

Global Navigation Satellite System for location services and time synchronization

RMS

Compatible with Teltonika Remote Management System

DUAL SIM

For additional connection reliability

I/O

Multiple digital and analog inputs and outputs for equipment control and event notification

SERIAL PORTS

RS232/RS485 serial communication interfaces

RUT955

PRODUCT DESCRIPTION

// RUT955 is a highly reliable industrial LTE Cat 4 router that delivers high performance and GNSS location capabilities.

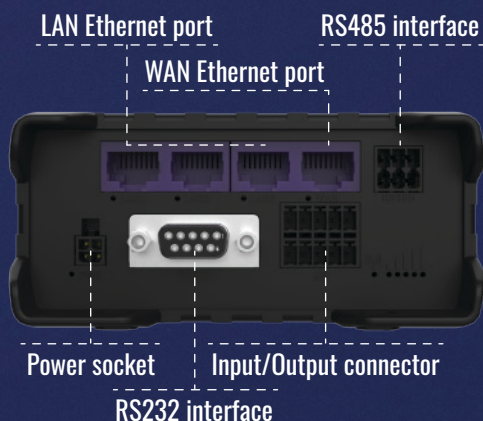
// Ethernet, Digital, and Analogue I/O, RS232, RS485, GNSS (GPS), microSD, and USB interfaces allow for an incredible variety of industrial application scenarios.

// It is equipped with connectivity redundancy via Dual SIM failover.

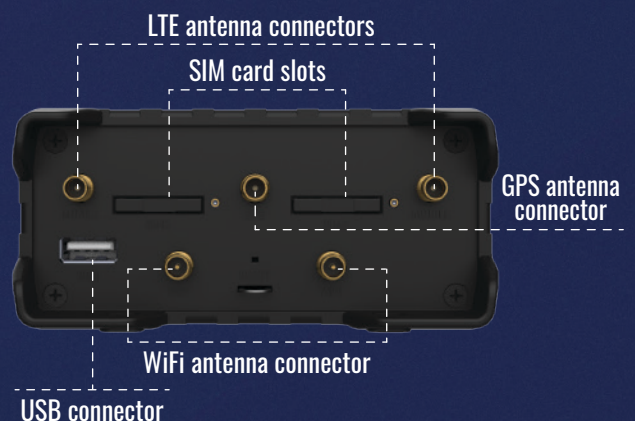
// It comes with RutOS which is packed with advanced software features, like Modbus, SNMP, TR-069, NTRIP, MQTT, and multiple VPN services.



FRONT VIEW



BACK VIEW



KEY FEATURES

HARDWARE

Mobile	4G/LTE (Cat 4), 3G, 2G
CPU	Atheros, MIPS 74Kc, 550 MHz
Memory	16 MBytes Flash, 128 MBytes RAM
Powering option	4pin power socket, 9-30 VDC
SIM	2 x External SIM holders (2FF)
Antenna connectors	2 x SMA for mobile, 2 x RP-SMA for WiFi, 1 x SMA for GPS
Ethernet	4 x 10/100 Ethernet ports: 1 x WAN (configurable as LAN), 3 x LAN
WiFi	IEEE 802.11b/g/n, Access point (AP), Station (STA)
GNSS	GPS, GLONASS, BeiDou, Galileo, QZSS
Inputs/Outputs	On 4pin socket: 1 x Digital input, 1 x Digital open collector output On 10pin socket: 1 x Isolated digital input, 1 x Digital dry input, 1 x Analog input, 1 x Isolated open collector output (requires external voltage), 1 x Relay output (non-latching)
Serial	1 x RS232, 1 x RS485
Other	1 x USB host, 1 x MicroSD
Status LEDs	1 x Bi-Color connection type, 5 x Signal strength, 4 x Ethernet, 1 x Power
Operating temperature	-40 °C to 75 °C
Housing	Aluminium housing with DIN rail mounting option, plastic panels with flat mounting option
Dimensions (W x H x D)	109 x 50 x 103 mm
Weight	295 g

SOFTWARE

Operating system	RutOS (OpenWrt based Linux OS)
Mobile features	Band lock, SIM switch, Operator black/white list, Data/SMS limits
Network	Failover (Network backup), VLAN, QoS, Load Balancing
Monitoring and management	WEB UI, CLI, SSH, SMS, TR-069, SNMP, JSON-RPC, MQTT, RMS
Cloud solutions	RMS, FOTA, Telenor, Azure IoT Hub, Cloud of Things, Cumulocity, ThingWorx
NTP	NTP Server, NTP Client, Sync with: External NTP server, GNSS, Mobile operator
GNSS	NMEA forwarding, AVL, Geofencing
Modbus	TCP slave, TCP master, RTU master, RTU gateway, Modbus over MQTT
Serial	Console, Over IP, Modem, NTRIP, Modbus

RMS

RMS | REMOTE MANAGEMENT SYSTEM
COMPATIBLE WITH RUT955
 MANAGEMENT | ALERTS | CONFIGURATION | ACCESS | FOTA



SOCIAL

