

# LON Option Card

## NPB-LON

### INSTALL SHEET

This document covers the mounting and wiring of the NPB-LON<sup>1</sup> option card in a Tridium<sup>®</sup> JACE<sup>®</sup> controller, including models T-200/600 (JACE 2/6), T-700 (JACE 7), T-202/602-XPR (M2M JACE), or Security JACE series.

**Table 1 NPB-LON option description.**

Description	Notes / LON Port Assignments
FTT-10A LON (LonWorks) adapter with a 2-position removable screw-terminal connector plug.	<p>Up to 2 LON<sup>®</sup> option cards may be installed (note that the T-202/602-XPR series controller accepts only one option card).</p> <ul style="list-style-type: none"> <li>• If one LON option, it operates as LON1, regardless of Option slot.</li> <li>• If two LON options, LON1 is Option slot 1, LON2 is Option slot 2.</li> </ul> <p>See <a href="#">Figure 2</a> on page 2 for location of Option Slots 1 and 2 on a T-200/600.</p>

Refer to the appropriate JACE<sup>®</sup> mounting and wiring document for further JACE installation details.

## Included in this Package

Included in this package you should find the following items:

- NPB-LON option card, connector end plate.
- one 2-position terminal plug, for wiring to an FTT-10 LonWorks<sup>®</sup> network
- This *LON Option Card*, Part Number 11871 Rev 1.1

## Material and Tools Required

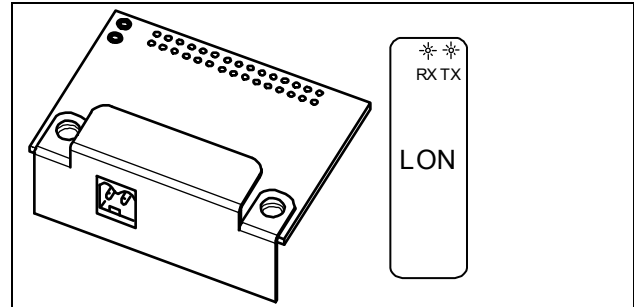
The following tools and supplies may be required for installation:

- #2 phillips screwdriver: to install the option card.
- Small flat-blade screwdriver: to make wiring connections to the FTT-10 Lonworks network.
- #1 phillips screwdriver: to remove and refasten T-x02-XPR (M2M JACE) covers, if applicable.

1. LON and LonWorks are registered trademarks of the Echelon Corporation.

JACE, Niagara Framework, Niagara AX Framework and the Sedona Framework are trademarks of Tridium, Inc.

**Figure 1 NPB-LON option.**



## Mounting



**Warning** Power to the JACE must be OFF when installing or removing option cards, or damage will occur! Also, you must be very careful to plug any option card into its connector properly (pins aligned).

Mount the NPB-LON option card in either of the option card slots of the JACE, as needed. Note the T-202/602-XPR series has only one option card slot.

### Procedure 1 Mounting NPB-LON option card on a JACE.

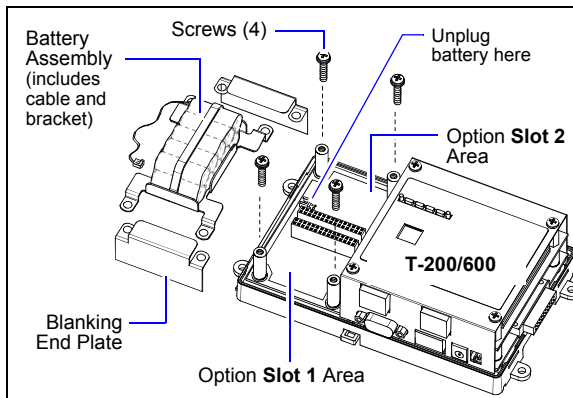
1. **Remove power** from the JACE—see the previous [Warning](#). Wait for all LEDs on the unit to be Off.
2. Remove the JACE cover or covers (T-x02-XPR). For all but the T-x02-XPR, press in the four tabs on both ends of the unit, and lift the cover off.



**Note** If accessory modules are plugged into the JACE, you may need to slide them away from the unit to get to the cover tabs.

For the T-x02-XPR, first remove the right cover, then the left cover, retaining the two screws that secure each cover.

3. For the T-200/600 or Security JACE, remove the battery and bracket assembly by taking out the screws holding it in place, setting the screws aside for later. Unplug the battery from the connector on the JACE. See [Figure 2](#) for an exploded view.

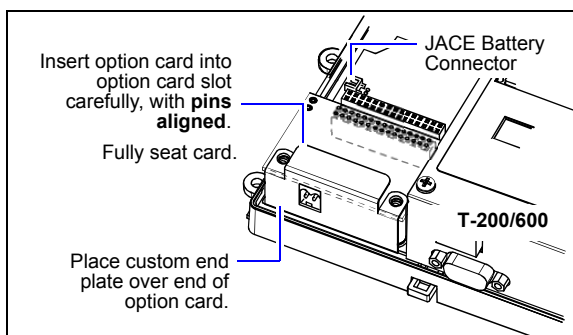
**Figure 2 Remove battery assembly.**

- Remove the option slot blanking plate, retaining the two screws.



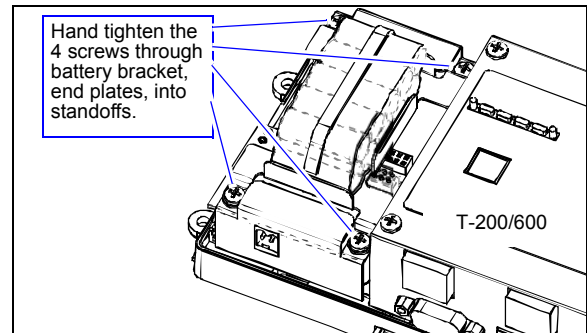
**Note** Slot 2 option card installation in a T-700 controller requires careful attention! See the *T-700 Mounting and Wiring Guide* for more details. This document focuses on installation in a T-200/600 series controller.

- Carefully insert the pins of the NPB-LON into the socket of the appropriate option card slot. The mounting holes on the option board should line up with the standoffs on the base board. If they do not, the connector is not properly aligned. Press until the option card is completely seated.
- Place the custom end plate that came with the NPB-LON over its connector (see [Figure 3](#)).

**Figure 3 NPB-LON inserted, end plate on top.**

- Plug the battery cable into the battery connector on the JACE ([Figure 3](#) shows the location of the battery connector on the T-200/600).

- For the T-200/600 or Security JACE, set the battery and bracket assembly back over the option card slots, with mounting holes aligned with the standoffs. Screws enter holes in the battery bracket first.

**Figure 4 Re-fasten screws.**

- Place the screws through the end plate(s), and into the standoffs on the base board. Using a screwdriver, hand tighten screws.
- Replace the JACE cover or covers (T-x02-XPR). If accessory modules were unplugged from the JACE, plug them back as before, and secure.

## Wiring

Connect LonWorks FTT-10 communications wiring to the 2 position connector of the NPB-LON. Note that polarity is not a factor in FTT-10 wiring.

Refer to the *LonWorks FTT-10A Free Topology Transceiver User's Guide* (078-0156-01F) for technical guidelines associated with free topology restrictions, and the *Junction Box and Wiring Guidelines for Twisted Pair LonWorks Networks* (005-0023-01) for more detailed information on wiring. These documents are available on Echelon's web site ([www.echelon.com](http://www.echelon.com)).

## LEDs

Two LEDs are visible on the top of the NPB-LON option card (cover must be removed from JACE):

- RX (green) — Receive, indicates that another LonWorks device is transmitting a message.
- TX (yellow) — Transmit, indicates that the JACE is transmitting a message on the LON trunk.

These LEDs are included on the top label of the the NPB-LON, see [Figure 1](#).

Information and/or specifications published here are current as of the date of publication of this document. Tridium, Inc. reserves the right to change or modify specifications without prior notice. The latest product specifications can be found by contacting our corporate headquarters, Richmond, Virginia. Products or features contained herein are covered by one or more U.S. or foreign patents. This document may be copied by parties who are authorized to distribute Tridium products in connection with distribution of those products, subject to the contracts that authorize such distribution. It may not otherwise, in whole or in part, be copied, photocopied, reproduced, translated, or reduced to any electronic medium or machine-readable form without prior written consent from Tridium, Inc. Complete confidentiality, trademark, copyright and patent notifications can be found at: <http://www.tridium.com/galleries/SignUp/Confidentiality.pdf>. © 2012 Tridium, Inc.