

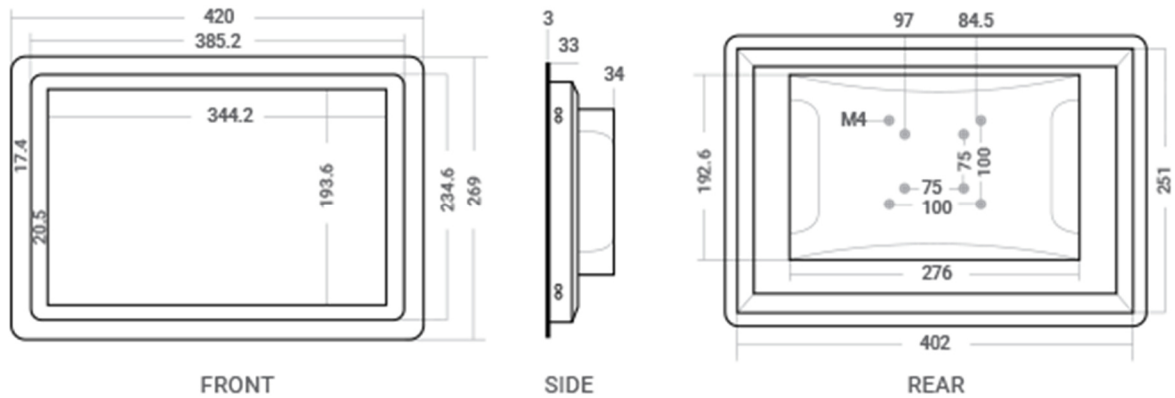
iSMA-D-PA15C-B1



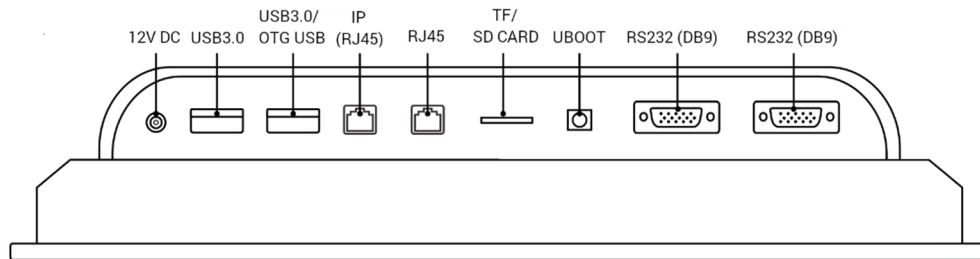
version 1.1

| SPECIFICATION | |
|---------------------------|---|
| Power supply | 110-240 V AC, 50/60 Hz |
| Panel power input | 12 V DC |
| Power supply adapter | EU, UK or US |
| Interface | IP, TF/SD, RS232 Card, USB 3.0, USB 3.0/OTG USB |
| Operating system | Android 7.1 |
| Display | 15,6", 10-point capacitive screen |
| Aspect Ratio | 16:9 |
| Resolution | 1366x768 |
| Ingress Protection Rating | IP65 - for front panel |
| Temperature | Operating: -10°C to +60°C (14°F to 140°F) Storage -10°C to +60°C (14°F to 140°F) |
| Operation humidity | 10 to 80% |
| Connectors | Separable, max 2.5 mm ² (18 – 12 AWG) |
| Dimension | 420,0x269,0x70,0 mm |
| Response time | 5 ms |
| Housing material | Aluminum alloy enclosure, color black, Bezel thickness 3 mm |

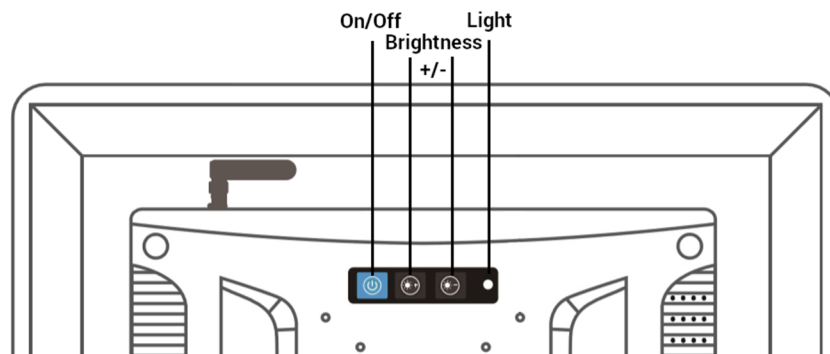
DIMENSION



INTERFACE

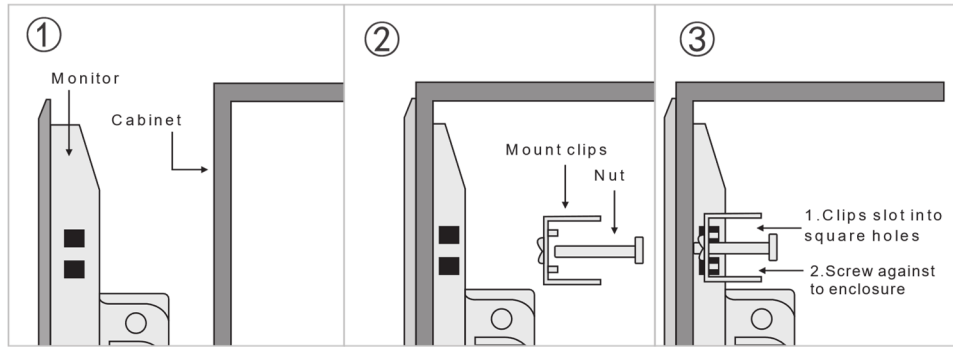


REAR NAVIGATION BUTTONS

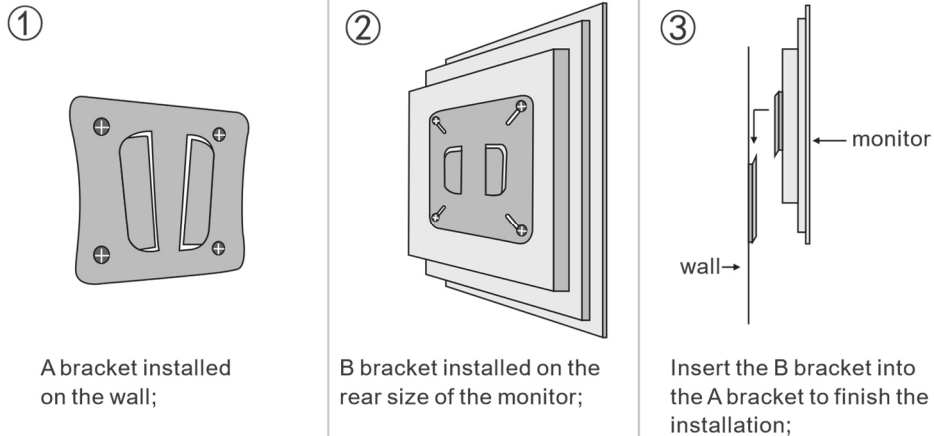


Brightness +/- buttons are prepared for future development

SNAP JOINT INSTALLATION



WALL-MOUNT INSTALLATION



WARNING



- Note, an incorrect wiring of this product can damage it and lead to other hazards. Make sure the product has been correctly wired before turning the power ON.
- Before wiring, or removing/mounting the product, be sure to turn the power OFF. Failure to do so might cause electric shock.
- Do not touch electrically charged parts such as the power terminals. Doing so might cause electric shock.
- Do not disassemble the product. Doing so might cause electric shock or faulty operation.
- Use the product within the operating ranges recommended in the specification (temperature, humidity, voltage, shock, mounting direction, atmosphere etc.). Failure to do so might cause fire or faulty operation.
- Firmly tighten the wires to the terminal. Insufficient tightening of the wires to the terminal might cause fire.
- Do not place the monitor on the unstable place.
- Do not exposed the monitor directly in the sunlight and other heat sources.
- Do not step on the power cord or make the power cord entwined.
- Clean the monitor with dry soft fabric (volatile matter not allowed).
- Do not contact with or be exposed to inappropriate temperatures, solvents, acid, water or moisture.
- Avoid the fragmentation, corrosion and any other damage to products or components (such as shell, LCD/LED panel, port, circuits etc.) caused by insect and mouse or any other things inserting.
- Please place it in a suitable location, such as mounted on the wall, hanging from the ceiling, and install it under the guidance of the professional.