

iSMA-D-PA10C-B1

iSMA-D-PA15C-B1

User Manual



Global Control 5 Sp. z o.o.
Warsaw, Poland
www.gc5.pl

Table of contents

1	Introduction.....	3
1.1	Revision history	3
1.2	Safety rules.....	4
1.3	EN 55022:2010+AC:2011	5
1.4	EN 61000-3-2:2014.....	5
1.5	EN 61000-3-3:2013.....	5
1.6	EN 55024:2010 + A1:2015	5
1.7	EN 60950-1:2006 + A11:2002 + A1:2010 + A12:2011 + A2:2013	5
1.8	Technical specifications	6
1.9	Dimensions.....	7
1.10	Interface Details	8
1.11	Setting USB port to OTG Mode.....	8
2	Operation Guide.....	10
2.1	Rear navigation buttons.....	10
2.2	Setting static IP address.....	11
3	Installation.....	13
3.1	Embed with snap joint Installation	13
3.2	Wall-mount Installation	14

1 Introduction

1.1 Revision history

Rev	Date	Description
1.0	2019.07.18	First edition

Table 1. Revision history

1.2 Safety rules

- **Note:** Incorrect wiring of this product can damage it and lead to other hazards. Make sure, the product has been correctly wired before turning the power ON.
- Before wiring, or removing/mounting the product, be sure to turn the power OFF. Failure to do so might result in electric shock.
- Do not touch electrically charged parts such as the power terminals. Doing so might result in electric shock.
- Do not disassemble the product. Doing so might result in electric shock or faulty operation.
- Use the product within the operating ranges recommended in the specification (temperature, humidity, voltage, shock, mounting direction, atmosphere etc.). Failure to do so might result in fire or faulty operation.
- Do not place the monitor on the unstable surface.
- Do not exposed the monitor directly in the sunlight and other heat sources.
- Unplug the power cable when thunderstorm weather with lightning occurred.
- Do not step on the power cord or make the power cord entwined.
- Do not make the external wall socket overload.
- Clean the monitor with dry soft fabric (volatile matter not allowed).
- Do not contact with or be exposed to inappropriate temperatures, solvents, acid, water or moisture.
- Avoid the fragmentation, corrosion and any other damage to products or components (such as shell, LCD/LED panel, port, circuits etc.) caused by insect and mouse or any other things inserting.
- Please don't install, repair, add or alter the products by the unauthorized agency or person.
- Please place it in a suitable location, such as mounted on the wall, hanging from the ceiling, and install it under the guidance of the professional.
- Unplug the power cable if the monitor is not used for a long time.
- Before you power the device, make sure the power voltage meets the device requirements.

1.3 EN 55022:2010+AC:2011

Electromagnetic compatibility of multimedia equipment. Emission Requirements.

1.4 EN 61000-3-2:2014

Electromagnetic compatibility (EMC). Limits for harmonic current emissions for equipment input current ≤ 16 A per phase).

1.5 EN 61000-3-3:2013

Electromagnetic compatibility (EMC). Limits for voltage changes, voltage fluctuations and flicker in public low-voltage supply systems, for equipment with rated current ≤ 16 A per phase.

1.6 EN 55024:2010 + A1:2015

Information technology equipment. Immunity characteristics. Limits and methods of measurement.

1.7 EN 60950-1:2006 + A11:2002 + A1:2010 + A12:2011 + A2:2013

Information technology equipment. SafetyGeneral requirements specifies requirements intended to reduce risks of fire, electric shock or injury for the OPERATOR and layman who may come into contact with the equipment and, where specifically stated, for a SERVICE PERSON.

1.8 Technical specifications

Panel type	Industrial TFT LCD	
Operating system	Android 7.1	
Screen type	LED ; Backlight lifetime ≥ 50000 h,	
Size	10.1"/15.6"	
Aspect Ratio	16:9	
Resolution	1366x768	
Luminance	300nit, up to 800nit/300nit, up to 1000nit	
Contrast	800:1/1000:1	
Active Area	222.7x125.2 mm / 344.2x193.6 mm	
Display color	16.7M	
Point distance	0.264mm	
View angle	75/75/75/75 / 89/89/89/89	
Response time	≤ 5 ms	
Installation	Compatible with VESA, For embedding, Wall Mount	
Menu Languages	English, French, German, Spanish, Chinese, Italian, Russian	
Touch Type	10-point capacitive touch screen	
Material	Metal /Aluminum Alloy	
Interface	IP, RS232, TF/SD Card, USB 3.0, USB 3.0/OTG USB	
Power port	DC12V- 24V	
Anti-interference	Anti-interference Electromagnetic Compatibility; Electromagnetic Interference	
Anti-Vibration	5-19HZ/1.0mm Amplitude; 19-200HZ/1.0g Accelerated Speed	
Temperature	Operating temperature: -10°C to 60°C (14°F to 140°F)	Storage temperature: -10°C to 60°C (14°F to 140°F)
Humidity	Operation humidity: 10% to 80%	Storage humidity: 10% to 90%
Anti-static	4KV-8KV; (customized MAX 16KV)	
Rated Voltage	AC100V~240V to DC12V-24V	
Rated Frequency	50Hz/60Hz	
Power supply	AC 110-240V, 50/60Hz	
Power supply adapter	EU, UK or US	
Power	Power consumption ≤ 30 W	Power standby ≤ 1.5 W
Dimension	293,6x193,6x48,5 mm (11.560x7.622x1.909 in) / 420,0x269,0x70,0 mm (16,535x10,591x2,756 in)	
IP	IP65 – for front panel	

Table 2. Technical specifications

1.9 Dimensions

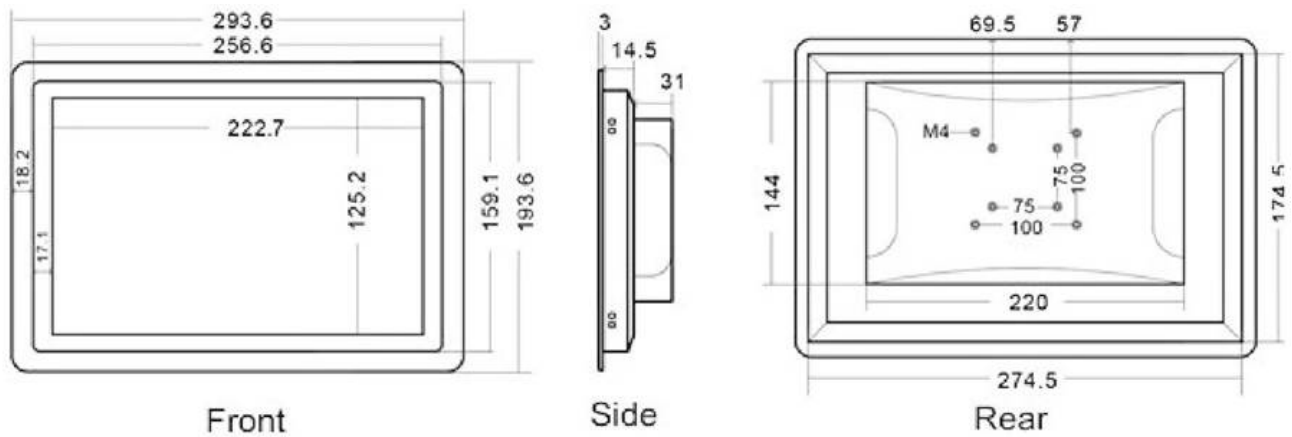


Figure 1. Dimensions of 10.1"

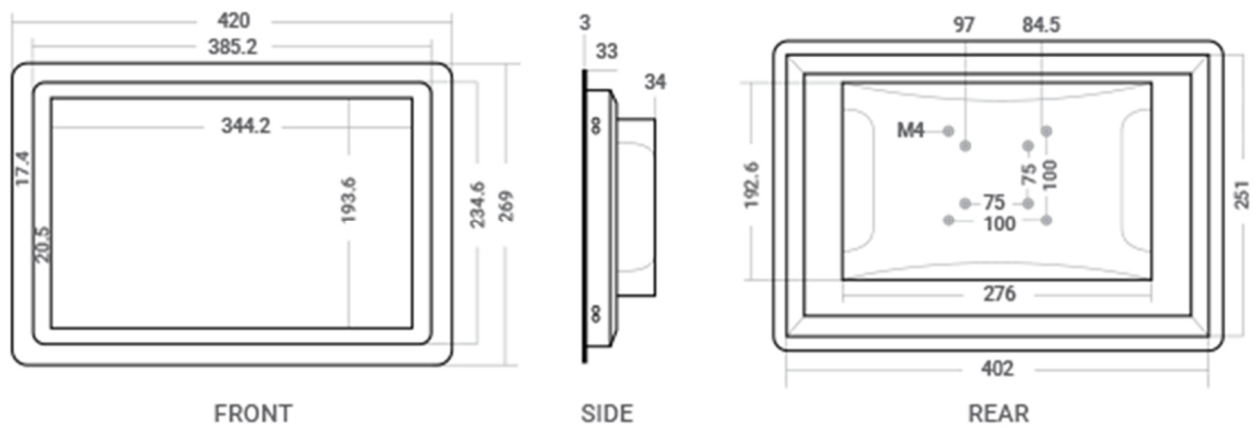


Figure 2 Dimensions of 15.6

1.10 Interface Details

The Monitor will recognize and select the signal automatically. An exception is USB in OTG Mode, you need to set USB port to OTG Mode. Full instruction in point 1.11

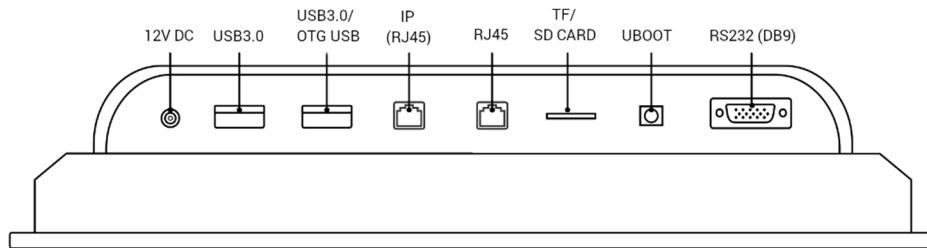


Figure 2. DC power supply connection of 10.1"

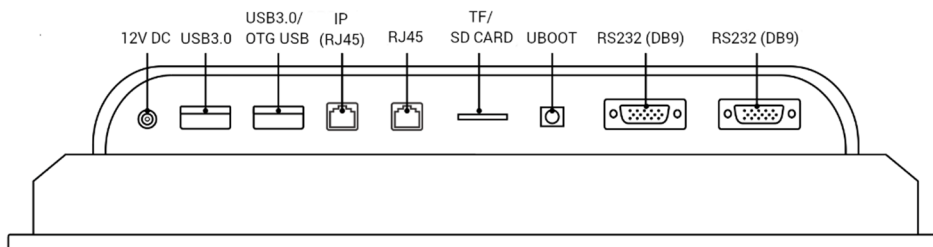


Figure 2. DC power supply connection 15.6"

1.11 Setting USB port to OTG Mode

1. Go to the main menu Android Panel PC – a round, white icon with dots in the center at the bottom of the screen

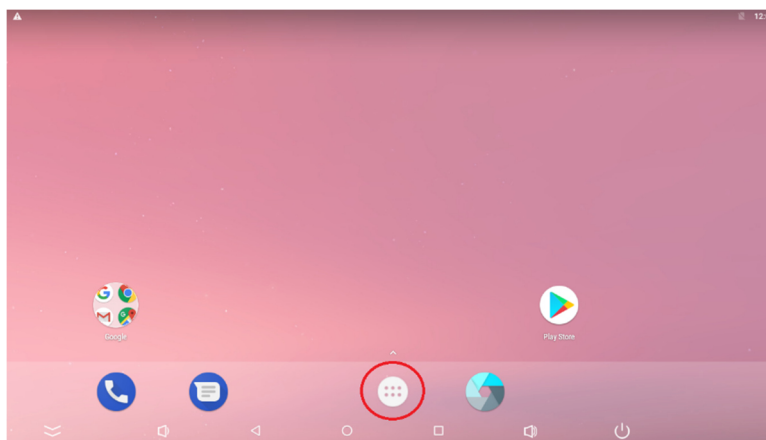


Figure 3 Main menu

2. Go to settings

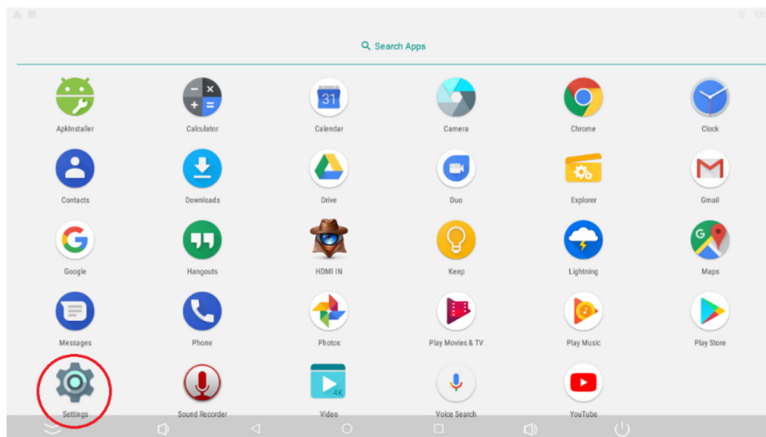


Figure 4 Settings

3. Go to developer options

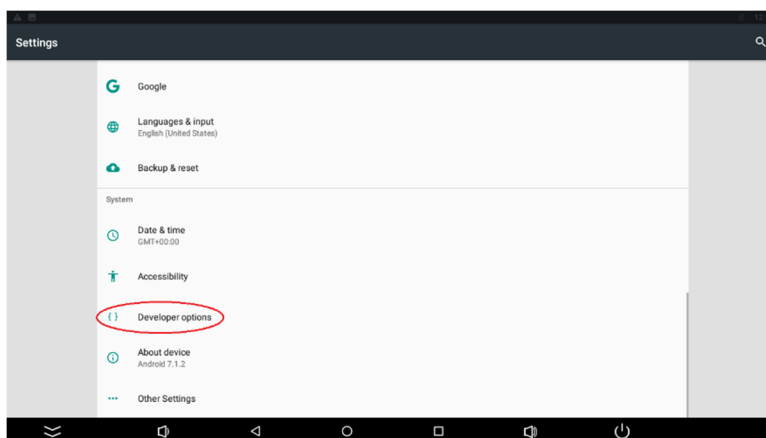


Figure 5 Developer options

4. Set USB Mode to OTG Mode and turn on USB debugging

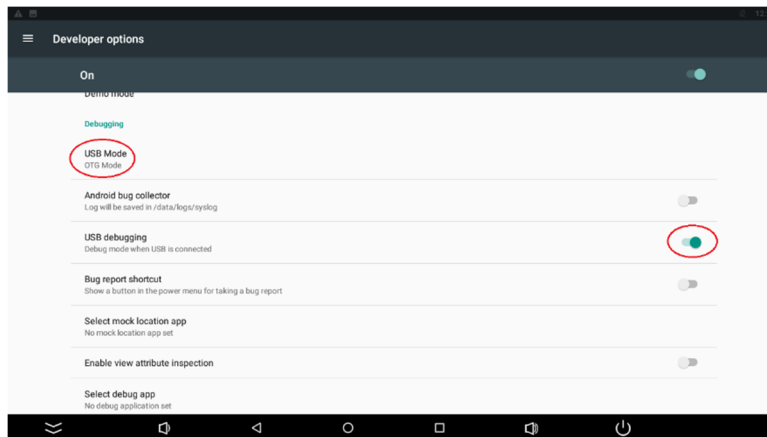


Figure 6 USB Mode and USB debugging

5. Set USB Configuration to MTP

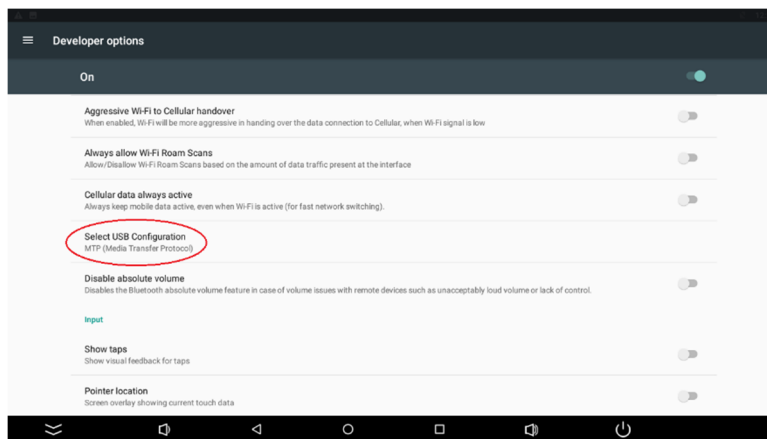


Figure 7 Select USB Configuration

2 Operation Guide

2.1 Rear navigation buttons

The buttons are used to turn the device on and off. Brightness +/- buttons are prepared for

future development

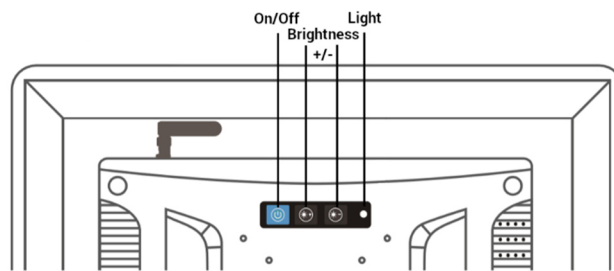


Figure 8. Rear navigation buttons

Symbol	Name	Using instruction
Brightness +/-	Choose +	Buttons prepared for future development
Brightness +/-	Choose -	
On/Off	On/Off button	Start-up/Shut down the monitor. You need to press the button for a few seconds for both turning on and off. When turning on wait a few seconds after pressing the button.

Table 3. Operating method for rear navigation buttons

2.2 Setting static IP address

Follow the instruction to set a static IP address:

1. Follow steps 1 and 2 from point 1.11

2. Go to More

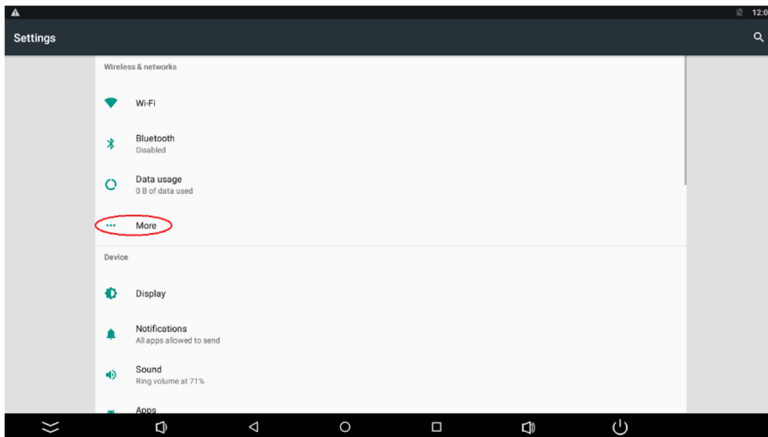


Figure 9 Settings - More

3. Go to Ethernet

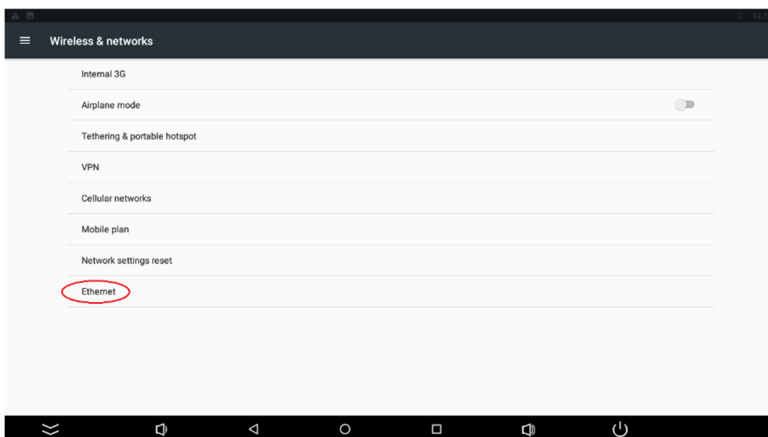


Figure 10 Ethernet

4. Go to Ethernet Ip mode

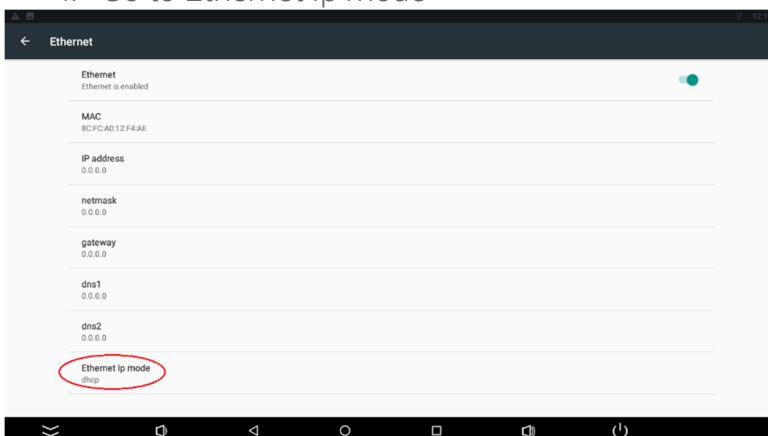


Figure 11 Ethernet Ip mode

5. Choose static

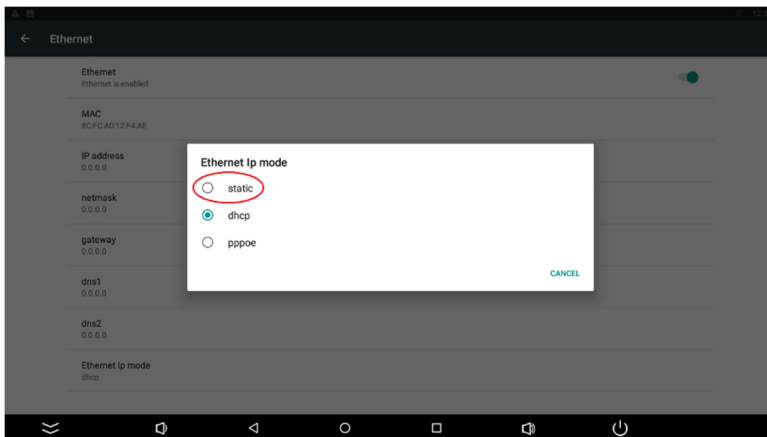


Figure 12 Setting Ethernet Ip mode

6. Insert IP address and other information and click CONNECT

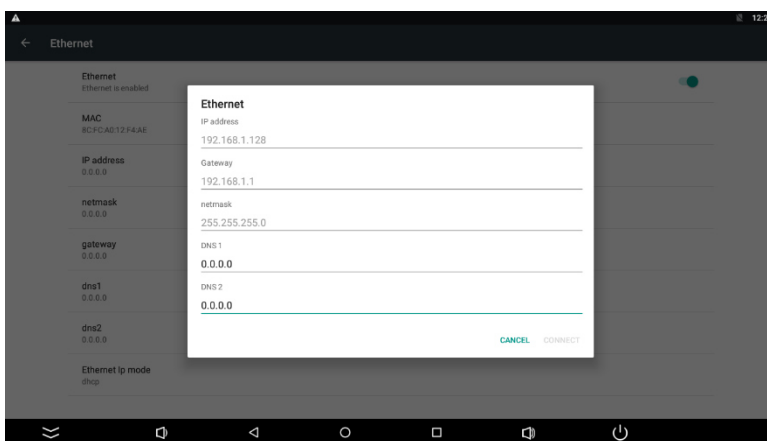


Figure 13 Inserting Ethernet information

3 Installation

- Do not place the monitor next to the radiator or heat source.
- Do not let any objects press or twine around the power cable or VGA cable.
- Do not place the monitor near to water source or humid places.
- Do not block off the back vents which can dissipate heat generated inside it to prevent damage of components.

3.1 Embed with snap joint Installation

Follow the below steps to install monitor with four snap joints buckle hole:

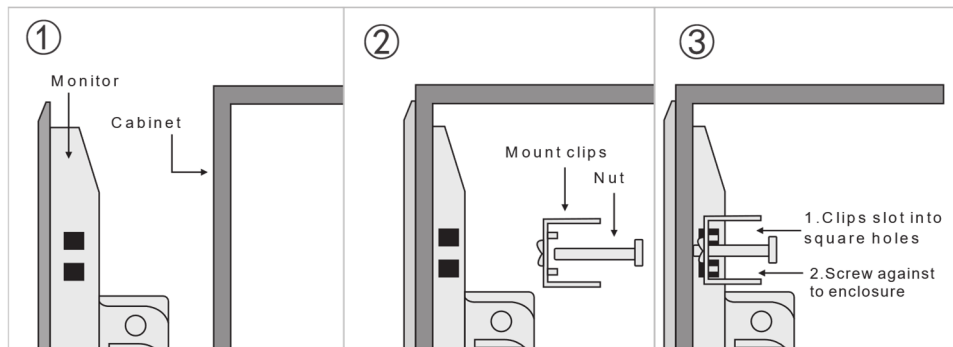


Figure 8. Embed with snap joint Installation

3.2 Wall-mount Installation

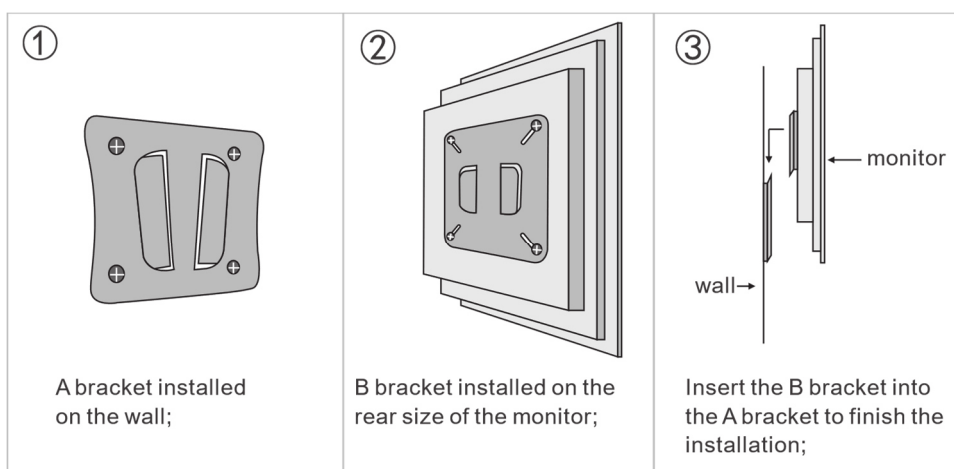


Figure 3. Wall-mount Installation